

Holley EFI Fuel Injectors feature a precision lapped disc valve, high-quality brass windings, and high-temp O-rings. These injectors provide excellent linearity with no discernible "bounce" at low pulse widths as commonly found in other injectors. They are available from 19 to 160 lb/hr flow rates to accommodate a variety of vehicles from mild street cars to high horsepower race applications. Holley EFI Fuel Injectors provide precision fuel delivery you can depend on.



Features:

- *Bosch/VE1 style performance injectors - Set of 8*
- *Low impedance (2.2 Ohms) for use with peak and hold drivers*
- *Rated injector flows from 19 thru 160 pph @ 43 PSI*
- *Tri-cone spray pattern*

Holley Injector Part Numbers:

522-191	Single Inj 19PPH
522-198	8 pk Inj 19PPH 300HP Max
522-241	Single Inj 24PPH
522-248	8 pk Inj 24PPH 385 HP Max
522-301	Single Inj 30PPH
522-308	8 pk Inj 30PPH 480 HP Max
522-361	Single Inj 36PPH
522-368	8 pk Inj 36PPH 575 HP Max
522-421	Single Inj 42PPH
522-428	8 pk Inj 42PPH 670 HP Max
522-481	Single Inj 48PPH
522-488	8 pk Inj 48PPH 765 HP Max
522-661	Single Inj 66PPH
522-668	8 pk Inj 66PPH 1050 HP Max
522-831	Single Inj 83PPH
522-838	8 pk Inj 83PPH 1325 HP Max
522-121	Single Inj 120PPH
522-128	8 pk Inj 120PPH 1900 HP Max

Specifications:

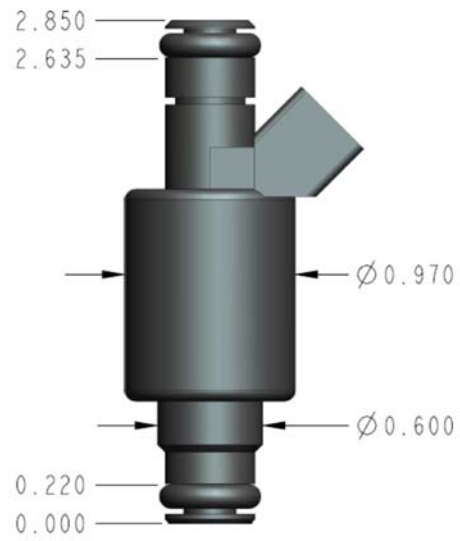


Holley EFI Injector Flow and Injector Off Time Data

Injector Flow and Part Number	Rated Injector Flow* (lb/hr)	Injector Off Time Curves (milliseconds)															
		Injector Voltage Supply (V)															
		8.0 V	8.8 V	9.6 V	10.4 V	11.2 V	12.0 V	12.8 V	13.6 V	14.4 V	15.2 V	16.0 V	16.8 V	17.6 V	18.4 V	19.2 V	20.0 V
19 lb/hr (PN 522-198)	19.0	1.48	1.24	1.02	0.85	0.72	0.62	0.53	0.46	0.40	0.35	0.30	0.26	0.22	0.19	0.15	0.12
24 lb/hr (PN 522-248)	24.0	1.33	1.09	0.87	0.70	0.56	0.46	0.37	0.29	0.22	0.16	0.10	0.06	0.01	0.01	0.01	0.01
30 lb/hr (PN 522-308)	30.0	1.73	1.46	1.22	1.03	0.87	0.75	0.65	0.56	0.49	0.43	0.37	0.32	0.26	0.22	0.19	0.16
36 lb/hr (PN 522-368)	36.0	1.59	1.34	1.12	0.93	0.79	0.67	0.57	0.48	0.41	0.35	0.31	0.27	0.23	0.19	0.15	0.11
42 lb/hr (PN 522-428)	42.0	1.69	1.42	1.18	0.98	0.83	0.72	0.61	0.51	0.43	0.36	0.30	0.24	0.20	0.15	0.11	0.07
48 lb/hr (PN 522-488)	48.0	1.47	1.24	1.02	0.84	0.70	0.59	0.50	0.42	0.35	0.29	0.23	0.18	0.13	0.09	0.06	0.03
66 lb/hr (PN 522-668)	66.0	1.09	0.94	0.81	0.71	0.63	0.56	0.50	0.44	0.39	0.34	0.29	0.26	0.23	0.20	0.18	0.15
83 lb/hr (PN 522-838)	83.0	1.39	1.22	1.07	0.94	0.84	0.76	0.69	0.62	0.56	0.51	0.46	0.42	0.38	0.35	0.32	0.28
120 lb/hr (PN 522-128)	120.0	1.33	1.19	1.06	0.96	0.89	0.83	0.77	0.71	0.66	0.62	0.57	0.54	0.51	0.48	0.45	0.43
160 lb/hr (PN 522-168) @ 43 PSI	168.5	1.14	1.00	0.85	0.74	0.65	0.56	0.51	0.46	0.41	0.36	0.32	0.28	0.25	0.21	0.19	0.16
160 lb/hr (PN 522-168) @ 60 PSI	197.5	1.49	1.32	1.14	1.00	0.89	0.78	0.71	0.64	0.58	0.53	0.48	0.44	0.39	0.36	0.33	0.31
160 lb/hr (PN 522-168) @ 75 PSI**	221.1	1.67	1.49	1.31	1.16	1.05	0.94	0.87	0.81	0.74	0.69	0.63	0.58	0.54	0.50	0.46	0.43

*Rated Injector Flow: Rated at 43 PSI unless noted

**Maximum Recommended Pressure on 522-168



Contact sales@efisupply.com for a quote on Holley EFI systems and components.